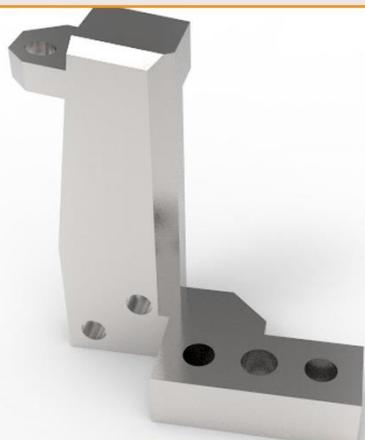
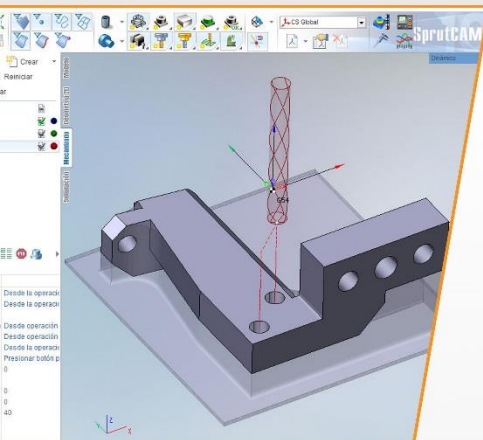


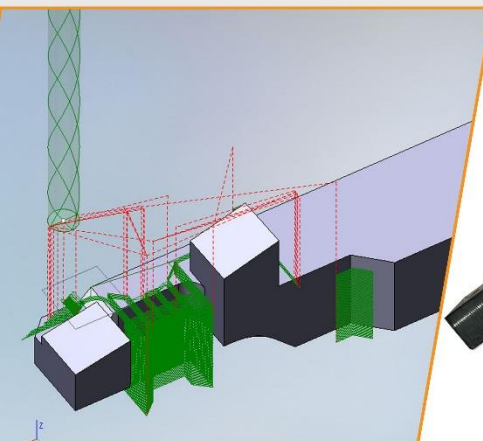
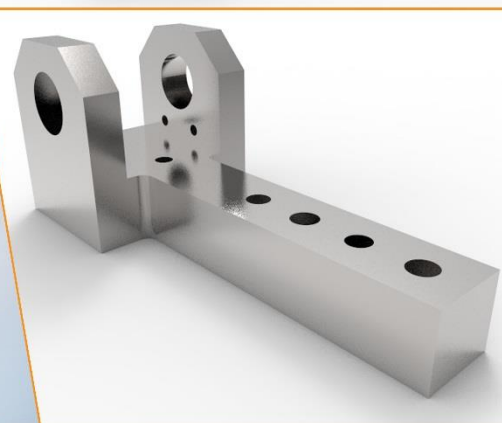
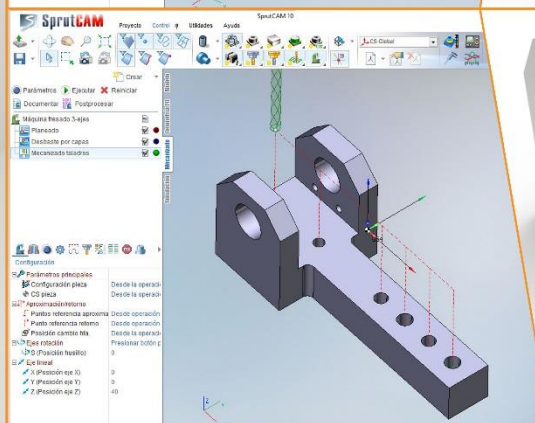
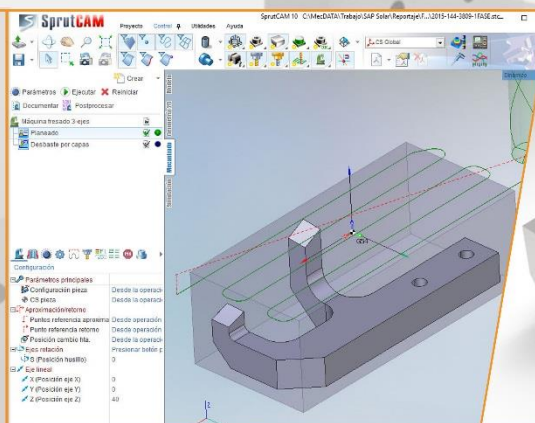


HELIENE is a company specialized in the manufacture of photovoltaic modules.



To give a better service to its customers, it has its own workshop where manufactures and assembles machinery specializing in the manufacture of photovoltaic modules.

Long-time MasterCAM's user decided to try out SprutCAM with the point of reducing maintenance and upgrading coasts. They were surprised and very satisfied by the rapid adaptation and learning of SprutCAM, as well as its power and flexibility that allows them to create toolpaths of machining in much less time and with a better adaptation to heir processes and CNC machines.



By the help of SprutCAM and its integration with "ZW3D Lite" the company Heliene in a few minutes achieves the machining of parts like on pictures.